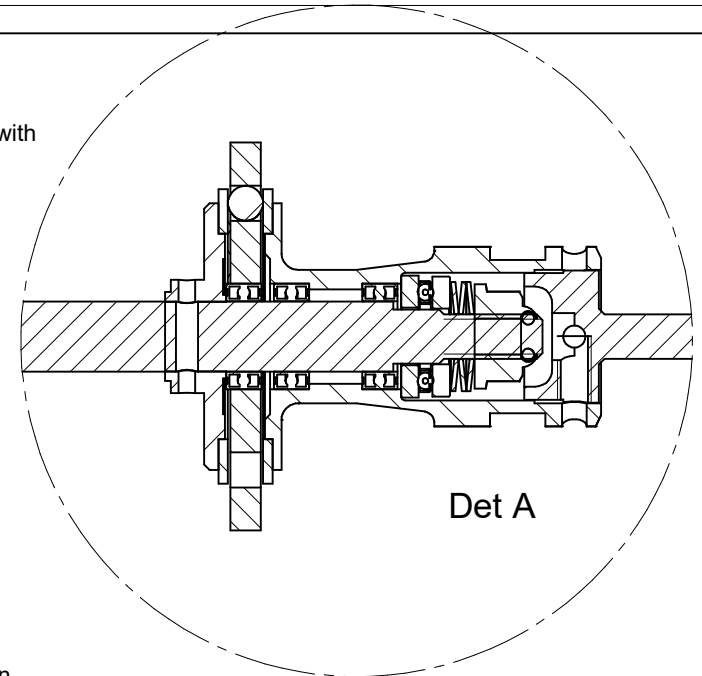
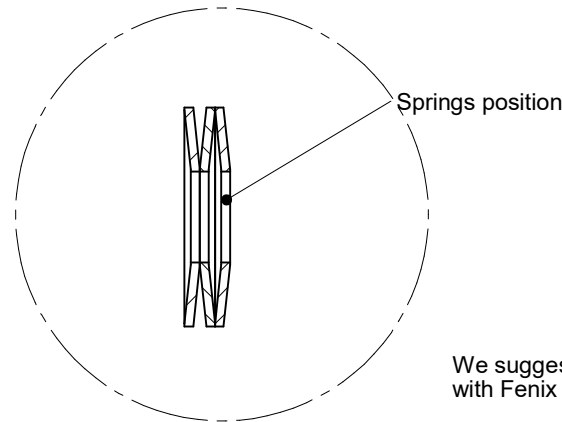


Use all 16 spheres

We suggest to lube them with Fenix FX-VS (not included)

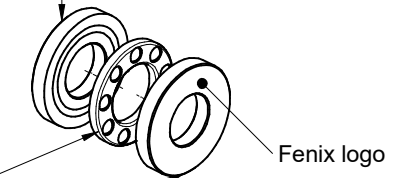


Pos	CPN	Description	Qty
1*	FD2	Diff external bell	1
2*	DGD023	Bearing 1/4 x 3/8 x 1/8	3
3*	FD3DD	Disk plate holder	1
4*	FD1	Titanium axle	1
5*	FX007-S	Diff plates	2
6*	DGD013	tappo diff	1
7*	FD4	Corona 84	1
8*	FX0043C	Ceramic Sphere Kit	4
9*	HW035	Self locking nut M4 - Flanged	1
10*	FX0043-F	Belleville Springs - 5 pcs	1
11*	FX0043G	Fenix Thrust Bearing	1



Ø 5,0 Opposite the springs

Thrust Bearing Installation



We suggest to lube them with Fenix FX-GN (not included)

Ø 5,25 Towards the springs

DETTAGLIO D

# Fenix F1 Mk3

## Hdd sphere Diff