

*FENIX Classique*

**FENIX**

*Classique*

Rev. 0.2

September 2019



“CLASSIQUE” is a high-competition, high-quality, 1/10-scale model car intended for persons aged 16 years and older with previous experience building and operating RC model racing cars. This is not a toy; it is a precision racing model. This model racing car is not intended for use by beginners, inexperienced customers, or inexperienced racers or by children without direct supervision of a responsible, knowledgeable adult. Before building and operating your “CLASSIQUE”, YOU MUST read through all of the operating instructions and instruction manual and fully understand them to get the maximum enjoyment and prevent unnecessary damage. Read carefully and fully understand the instructions before beginning assembly.

Contents of the box may differ from pictures. In line with our policy of continuous product development, the exact specifications of the kit may vary without prior notice.

Take appropriate safety precautions prior to operating this model. You are responsible for this model’s assembly and safe operation! Please read the instruction manual before building and operating this model and follow all safety precautions

## IMPORTANT NOTES – GENERAL

- This product is not suitable for children under 16 years of age without the direct supervision of a responsible and knowledgeable adult.
  - Carefully read all manufacturers warnings and cautions for any parts used in the construction and use of your model.
  - Assemble this kit only in places away from the reach of very small children.
  - First-time builders and users should seek advice from people who have building experience in order to assemble the model correctly and to allow the model to reach its performance potential.
  - Exercise care when using tools and sharp instruments.
  - Take care when building, as some parts may have sharp edges.
  - Keep small parts out of reach of small children. Children must not be allowed to put any parts in their mouth, or pull vinyl bag over their head.
  - Read and follow instructions supplied with paints and/or cement, if used (not included in kit).
  - Immediately after using your model, do NOT touch equipment on the model such as the motor and speed controller, because they generate high temperatures. You may seriously burn yourself seriously touching them.
  - Follow the operating instructions for the radio equipment at all times.
  - Do not put fingers or any objects inside rotating and moving parts, as this may cause damage or serious injury as your finger, hair, clothes, etc. may get caught.
  - Be sure that your operating frequency is clear before turning on or running your model, and never share the same frequency with somebody else at the same time. Ensure that others are aware of the operating frequency you are using and when you are using it.
  - Use a transmitter designed for ground use with RC cars. Make sure that no one else is using the same frequency as yours in your operating area. Using the same frequency at the same time, whether it is driving, flying or sailing, can cause loss of control of the RC model, resulting in a serious accident.
  - Always turn on your transmitter before you turn on the receiver in the car. Always turn off the receiver before turning your transmitter off.
  - Keep the wheels of the model off the ground when checking the operation of the radio equipment.
  - Disconnect the battery pack before storing your model.
  - When learning to operate your model, go to an area that has no obstacles that can damage your model if your model suffers a collision.
  - Remove any sand, mud, dirt, grass or water before putting your model away.
  - If the model behaves strangely, immediately stop the model, check and clear the problem.
  - To prevent any serious personal injury and/or damage to property, be responsible when operating all remote controlled models.
  - The model car is not intended for use on public places and roads or areas where its operation can conflict with or disrupt pedestrian or vehicular traffic.
  - Because the model car is controlled by radio, it is subject to radio interference from many sources that are beyond your control. Since radio interference can cause momentary loss of control, always allow a safety margin in all directions around the model in order to prevent collisions.
  - Do not use your model:
    - Near real cars, animals, or people that are unaware that an RC car is being driven.
    - In places where children and people gather
    - In residential districts and parks
    - In limited indoor spaces
    - In wet conditions
    - In the street
    - In areas where loud noises can disturb others, such as hospitals and residential areas.
    - At night or anytime your line of sight to the model may be obstructed or impaired in any way.
- To prevent any serious personal injury and/or damage to property, please be responsible when operating all remote controlled models.

Failure to follow these instructions will be considered as abuse and/or neglect.

We have made every effort to make these instructions as easy to understand as possible.

However, if you have any difficulties, problems, or questions, please do not hesitate to

contact the Fenix support team at [racing@fenixwaterjet.com](mailto:racing@fenixwaterjet.com) . Also, please visit our Web site

at [www.fenix-racing.com](http://www.fenix-racing.com) or [www.fenixracingshop.com](http://www.fenixracingshop.com) or <https://www.facebook.com/FenixRacing.it/>

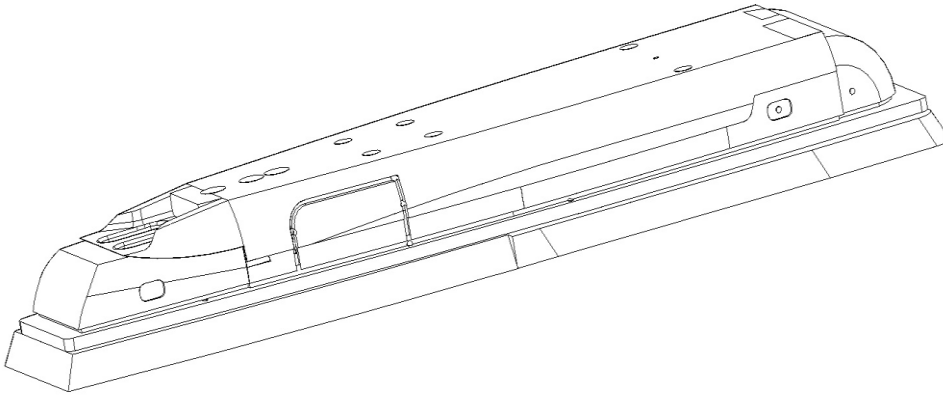
the latest updates, set-up information, option parts, and many other goodies. We pride ourselves on taking excellent care of our customers.

# FENIX *Classique*

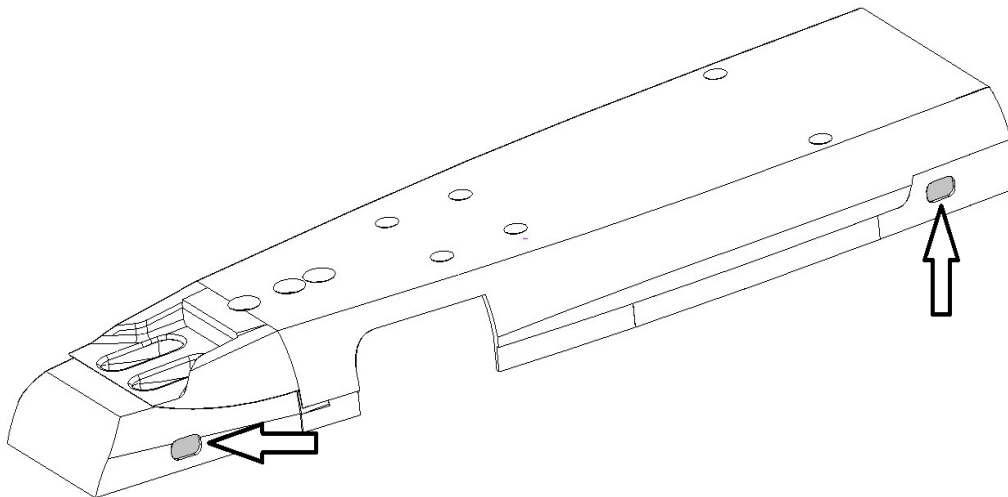
**Please note.** *Classique* is not the usual rc model car, the assembly procedure, although very simple, is a little unusual, as the body is "part" of the car. So, please, read the manual before start.

## Lower body preparation

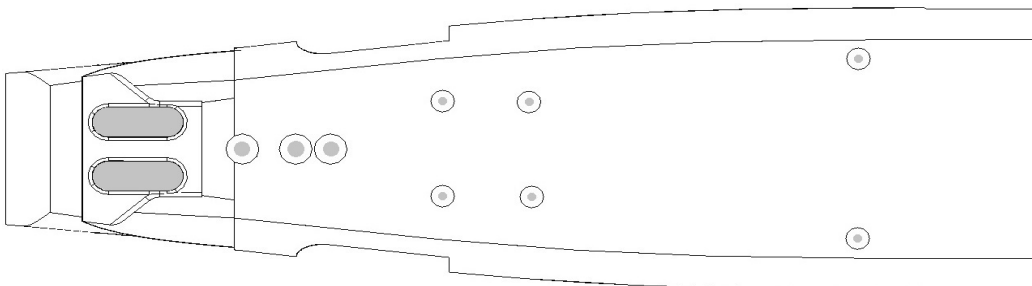
Let's start with lower part of the body



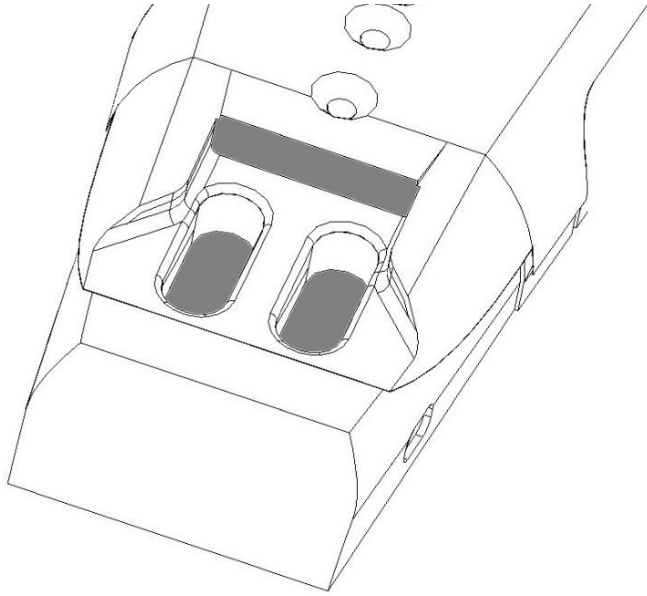
Cut as shown – Open the grey holes



Drill the grey holes - Open the grey area

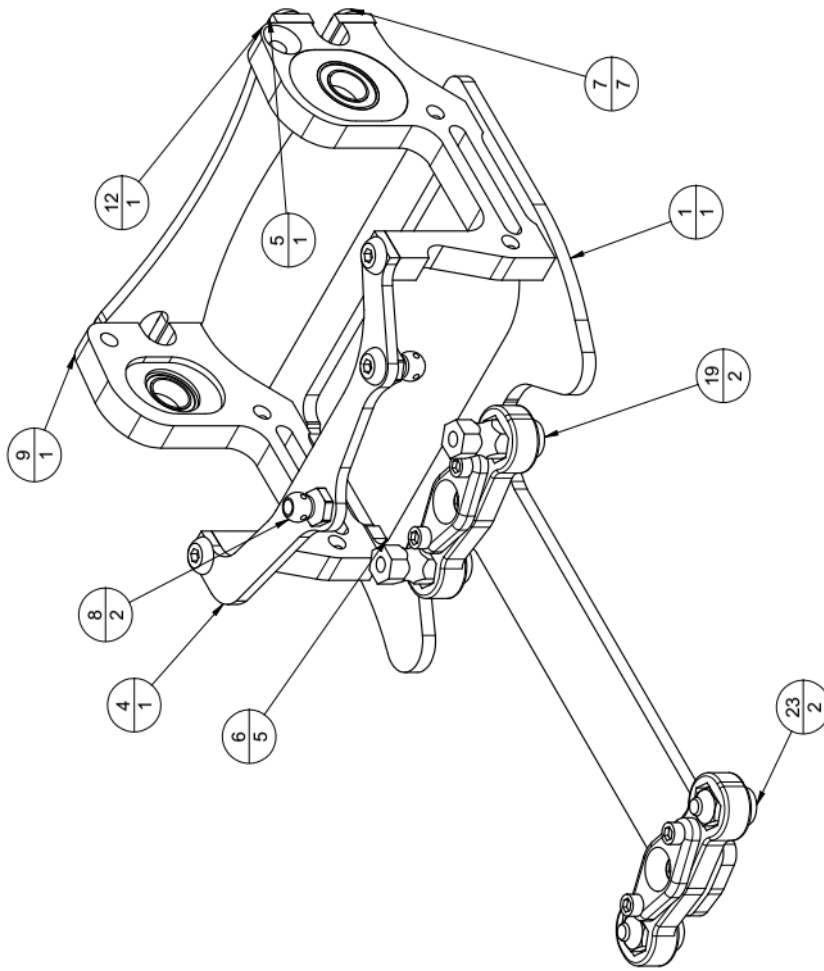


## ***FENIX Classique***



Open the grey rectangle.  
You might want to paint the lower body in this moment.

## Bag A



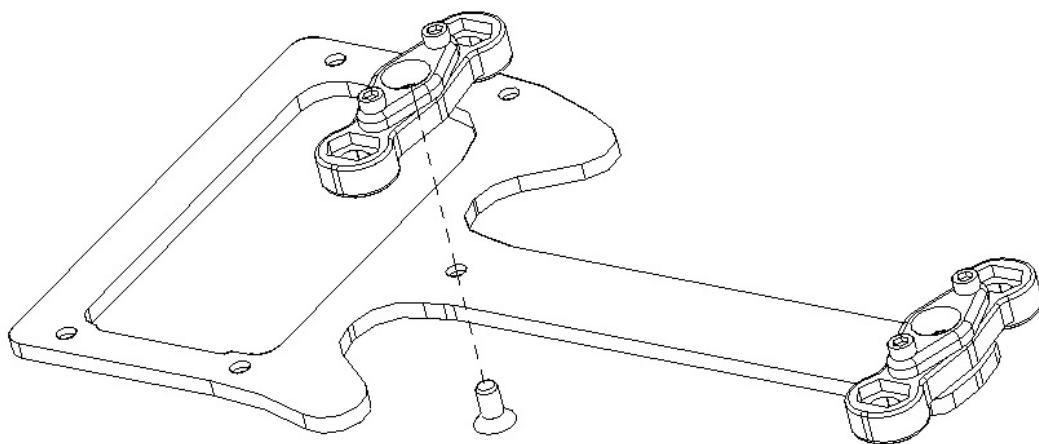
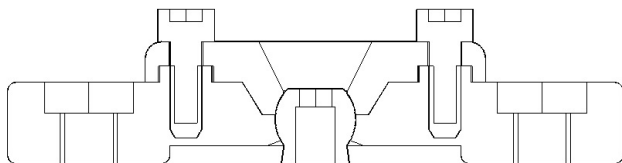
Item	CPN	Description	QTY
1	HS3	Tbar Classique	1
4	HS4-shock	HS4 - SHOCK HOLDER	1
5	HS7	Rear brace	1
6	HW012	Screw - M3*6 - Hexagon Socket Countersunk	5
7	HW008	Screw - M3*6 - Hexagon Socket Button	7
8	FX-FU48	uniball 6,6	2
9	FX050-A	MOTOR HOLDER - A	1
10*	FX0048	Ride height adjuster - (for FX050 motor holder)	2
11*	FX14-38	Ball Bearing Flanged 3/8"x1/4"	2
12	FX050-B	MOTOR HOLDER B	1
13*	FX022	Suspension Sphere - link	2
14*	FX0015	Side link kit - Pivot	1
15*	FX0015	Side link kit - cover	1
16*	HW014	Screw - M2*6 - Hexagon Socket Cylinder	4
17*	FX1045	10mm Alu post	2
18*	HW012	Screw - M3*6 - Hexagon Socket Countersunk	2
19	HW004	Screw - M3*10 - Hexagon Socket Countersunk	2
20*	FX0015	Side link kit - Pivot	1
21*	FX0015	Side link kit - cover	1
22*	HW027	M3 nut - standard	2
23	HW004	Screw - M3*10 - Hexagon Socket Countersunk	2

# FENIX *Classique*

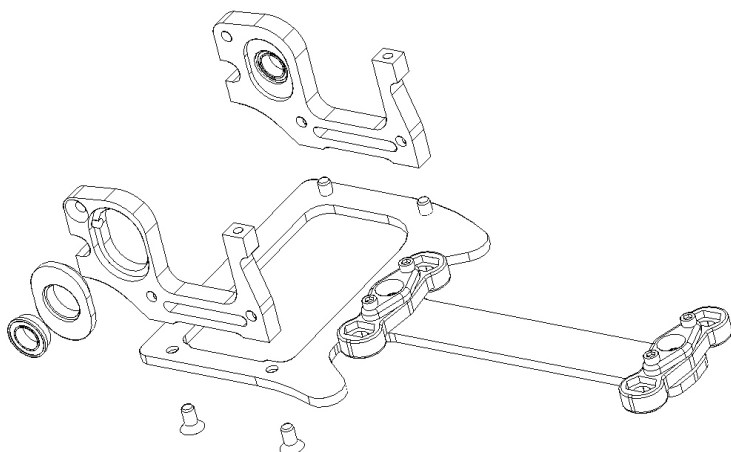
Make 2 sets

Note: Put a drop of oil over the sphere and carefully tight the M2x6 screws. The sphere should move easily, but w/o too much play.

Use 2 x HW0014  
M2x 6 screws and  
1 x FX002 sphere



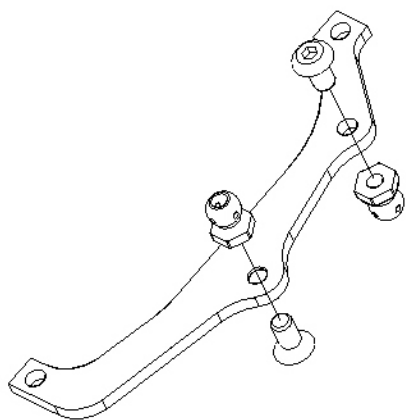
Using 2 x HW012  
M3 x 6 counter  
sunk screws, fix  
the 2 pivot group  
to the T-bar.



Using 4 x HW012  
fix the 2 motor  
holders to the T-  
bar. Once done,  
insert the 2 ride  
height adjuster  
into the slot (use  
always the same  
number 0-0 or 1-  
1 etc).

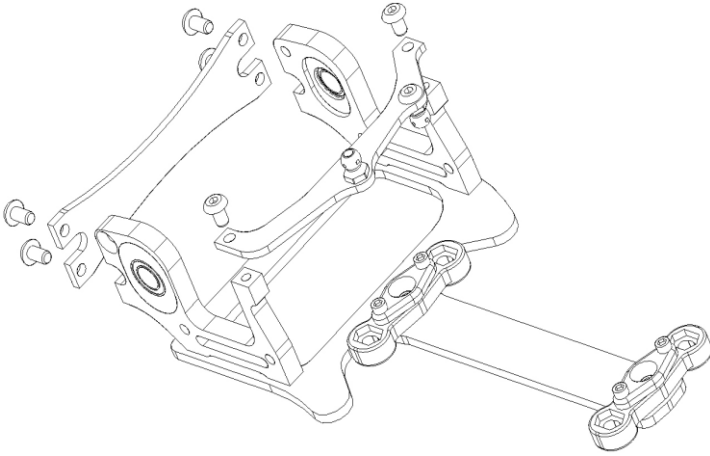
Insert the 2  
flanged bearing in  
the ride height  
adjuster.

Using 1 x HW012,  
fix 1 FU-FX48  
uniball in the  
centre hole, using  
1 HW008 M3x6  
button screw, fix  
the other uniball

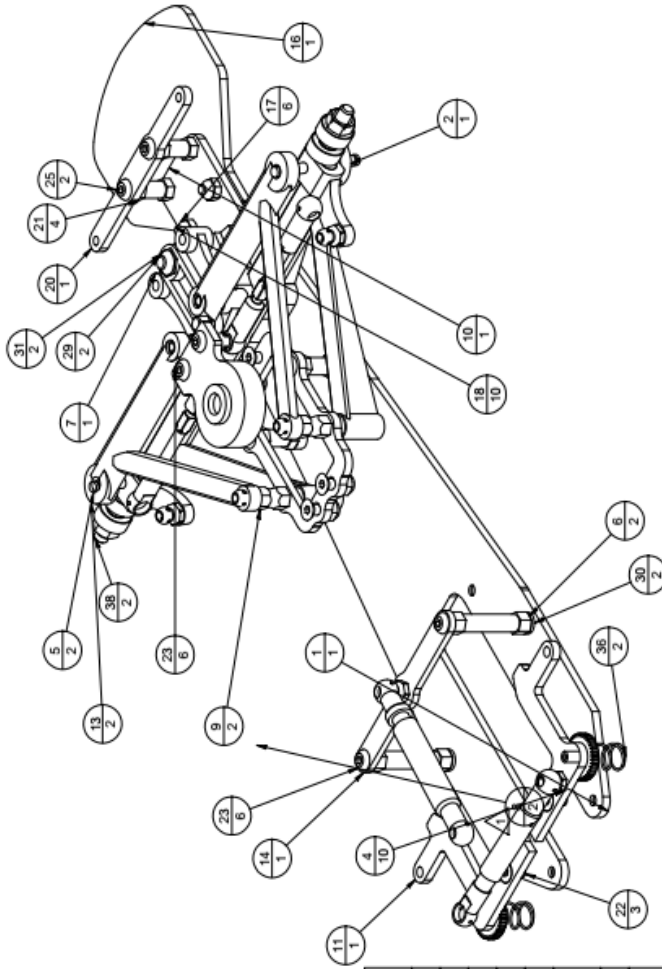


## ***FENIX Classique***

Using 6 x HW008  
fix as show the  
shock holder and  
the rear brace.



**Note:** Keep the  
remaining parts  
from Bag A for a  
later use.

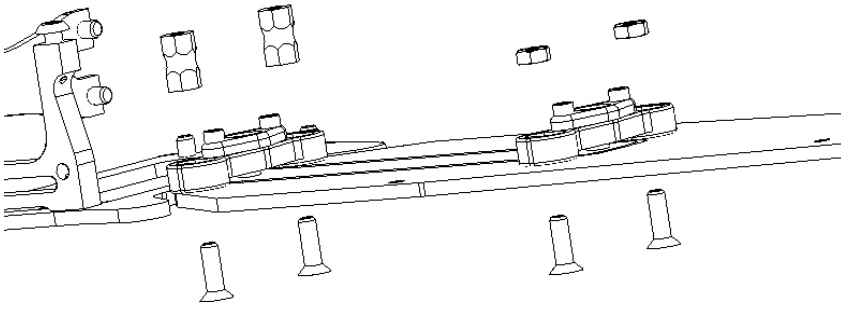


ITE	CPN	Description	QTY	ITE	CPN	Description	QTY
M				M			
1	HS1-SWB	Classique Chassis SWB	1	35*	FX0015	Side Link kit - spring holder	2
2	51381-A	Lower Arm F104	1	36	FX0033	Side spring	2
4	FX-FU48	uniball 6,6	10	37*	HW013	Grub screw M3*8	2
5	19B08241	Kingpin	2	38	FX0017	Fenix Steering upright	2
6	FX0054	Post 26mm	2	39*	FX0017-A	Fenix Steering upright - Plastic spare	2
7	51381B	Central element F104	1	41*	Kimbroug	salvaservo Kimbrough	1
8	51381C	Distanziale sosp F104	2	42*	FX0037	Ball Joint	4
9	FX1045	10mm Alu post	2	43*	FX0026-T	Mistral front turnbuckle Steering - Titanium	2
10	HS8	Bumper holder	1	44*	FX0042-A	Damper body	1
11	HS7	Rear Battery Holder	1	45*	FX0042-B	Damper Piston	1
13	51381D	Susp Arm F104	2	46*	HW017?	Grub screw M3*10	1
14	HS5	Central shock	1	47*	FX0037	Ball Joint - SHORT	2
16	HS9	Bumper 2	1	48*	FX105	Bearing 10mm*5mm*4mm	4
17	HW002	M3 Self locking nut - standard	6	49*	XXXXX	Damper A	1
18	HW004	Screw - M3*10 - Hex Socket Countersunk	10	50*	XXXXX	Damper A	1
19*	HW032	Grub screw M3*10	4				
20	HS10	Front body holder	1				
21	FX0052	12mm Alu post	4				
22	HW012	Screw - M3*6 - Hex Socket Countersunk	3				
23	HW003	Screw - M3*8 - Hex Socket Button	6				
24*	HW024	Screw - M3 x 25 - Hex Socket Countersunk	2				
25	HW008	Screw - M3*6 - Hex Socket Button	2				
26*	HW026	Screw - M3 x 12 - Hex Socket Countersunk	2				
27*	HW006	Self locking nut M4 - standard	3				
28*	HW033	Screw - M4 x 10 - Hex Socket Countersunk	1				
29	HW021	Screw - M4 x 35 - Hex Socket Countersunk	2				
30	FX0023	Alu Shim 1mm	2				
31	HW028	M4 nut - standard	2				
32*	HS2	Servo holder	1				
33*	FX02009	Alu Shim 2mm	2				
34*	FX0074	Alu Shim 3mm	2				

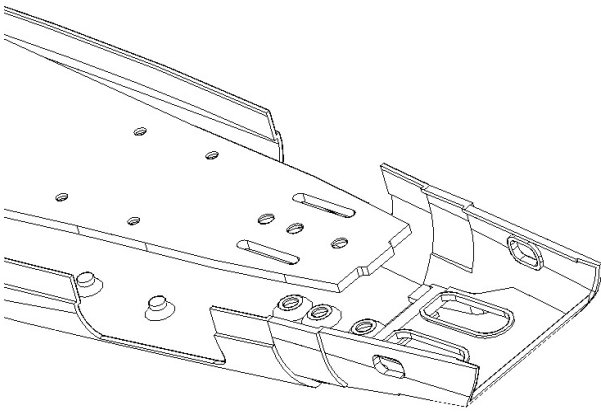


# FENIX Classique

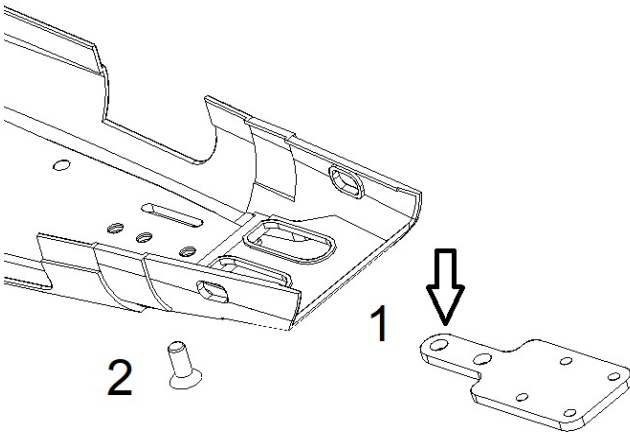
Using 4 HW M3 x 10 (from bag A) fix the T-bar group to the main chassis. On the front pivot use the HW027 M3 nut and on the rear pivot the 2 FX1045 10mm posts.



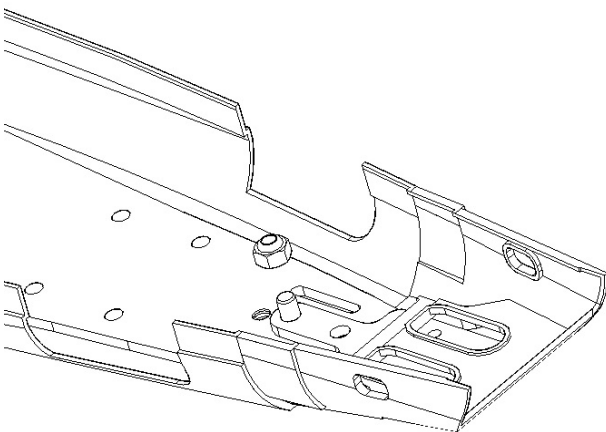
Take the main chassis and the lower body, align the holes.



Slide the bumper holder into the body opening – Then insert the M4 x 10 screw

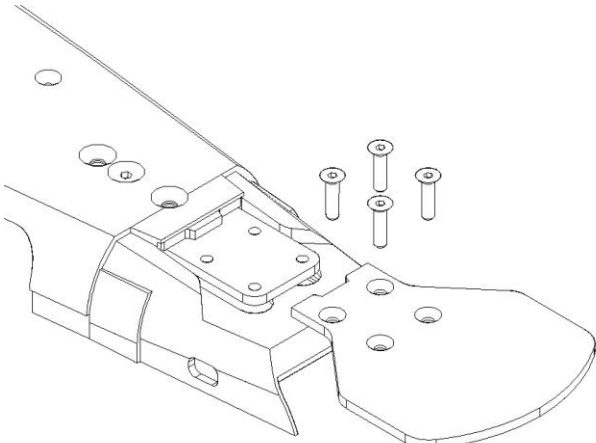


Tight the M4 self-locking nut – Note: Almost full, the M4 screw should be able to rotate a little

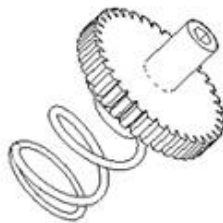
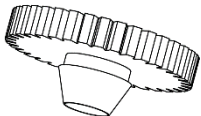
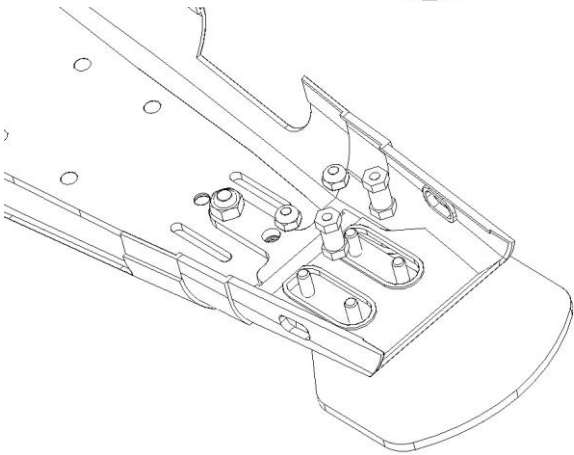


# ***FENIX** Classique*

Assembly the bumper with the 4 M3 x 10mm countersunk screws



Tight the 2 M3 self-locking nuts and the 2 x FX0053 posts



**Grub screw  
M3 x 8**

*Note: spring holder might have 2 different shape.  
Hex one or round one.*

Make 2 sets as show

# FENIX Classique

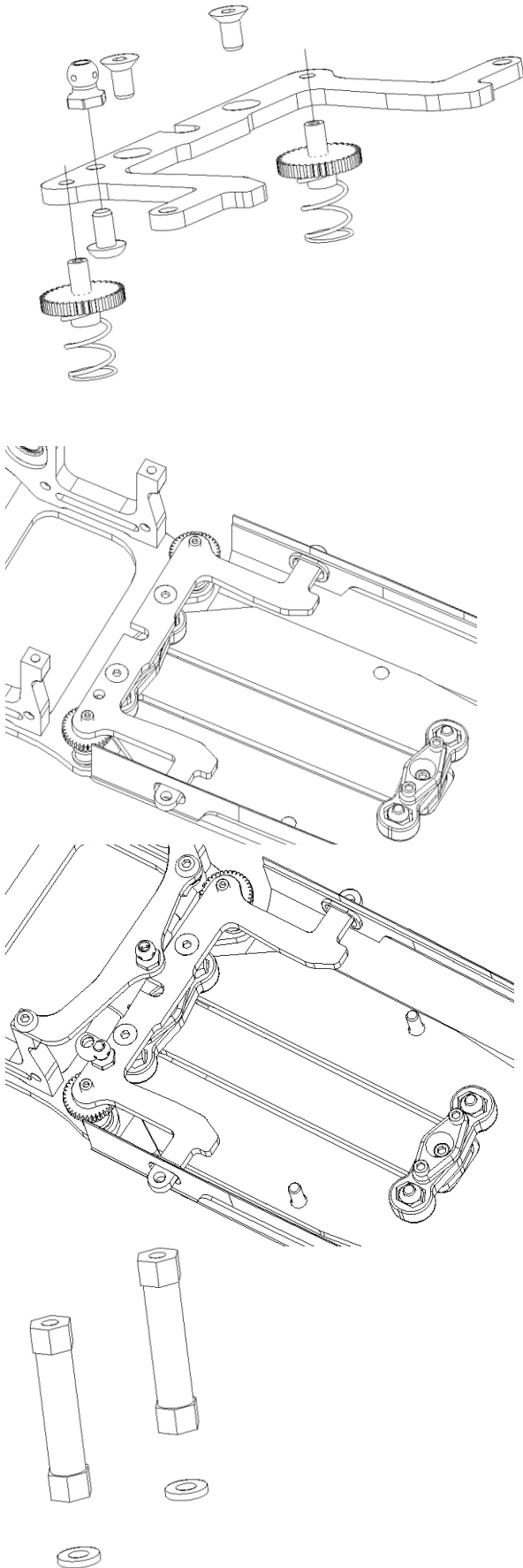
Use special attention when “thread” the grub screw in the carbon fibre, lubricate the grub screw often during the operation and insert it slowly.

Insert the FUFX48 and fix it with 1 x HW008 M3x6 button screw  
Slide the HS7 rear battery holder into the body holes and fix it using 2 x HW012.

**Note:** some parts from previous assembly are omitted for sake of clarity.

Slide 2 x HW004 M3x10 hex countersunk screw through the holes in the body and in the chassis

Over the screw insert the FX0023 1mm aluminium shim and screw the FX0054 26mm post.



# FENIX *Classique*

Using 1 x HW0012 fix the FUFX48 at the HS5 central shock holder.

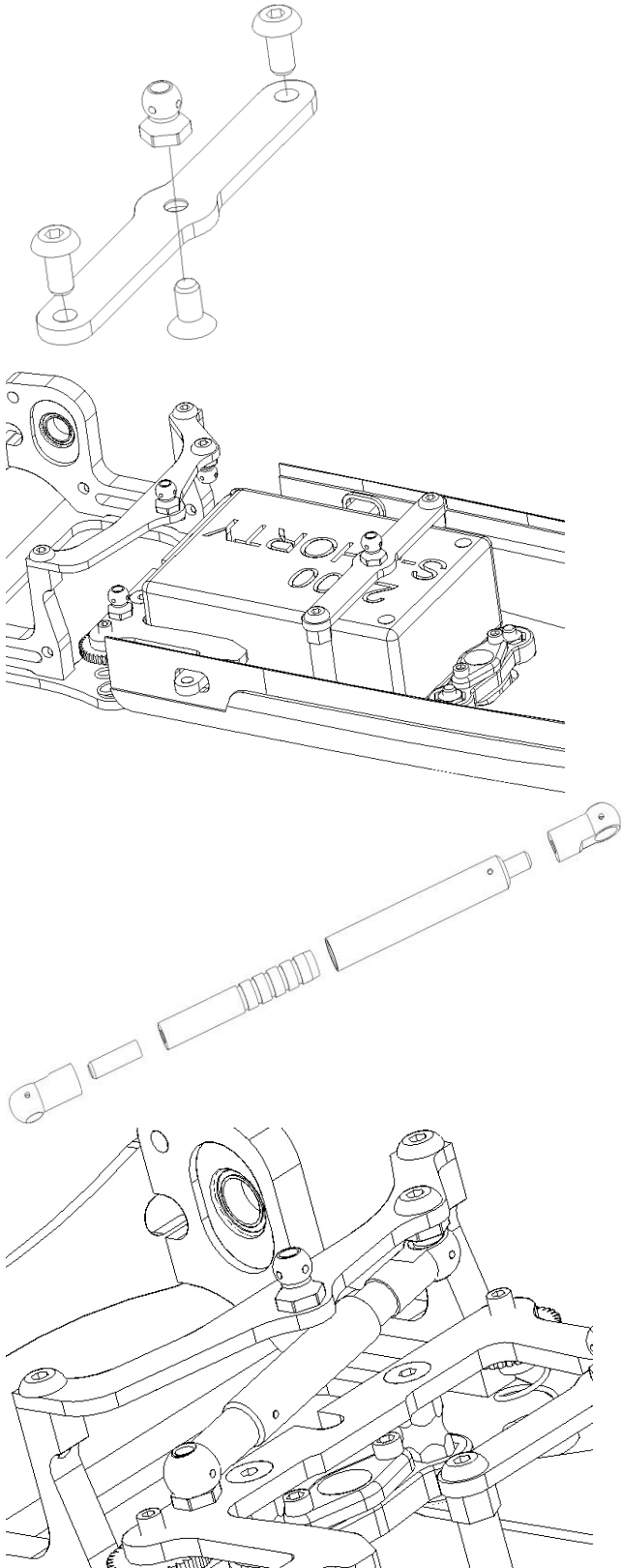
Use 2 HW008 M3 x 8 button screw to fix this group to the FX0054

Battery installation.  
This model can use only "Super shorty lipo pack" with a size of 69.2 x 46.8 x 24.9mm

Note: battery not included

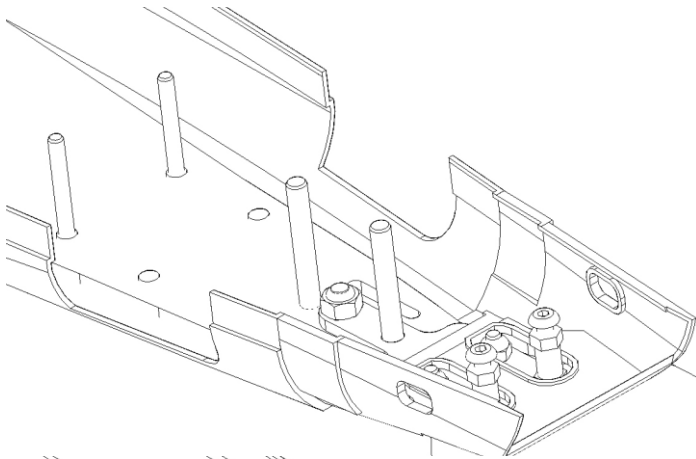
Assembly the side damper as shown

Install the damper as shown.

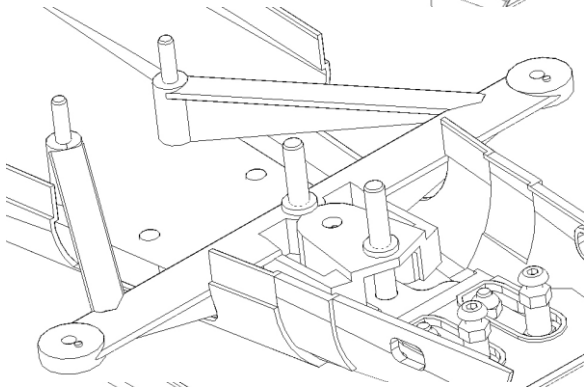


# **FENIX** *Classique*

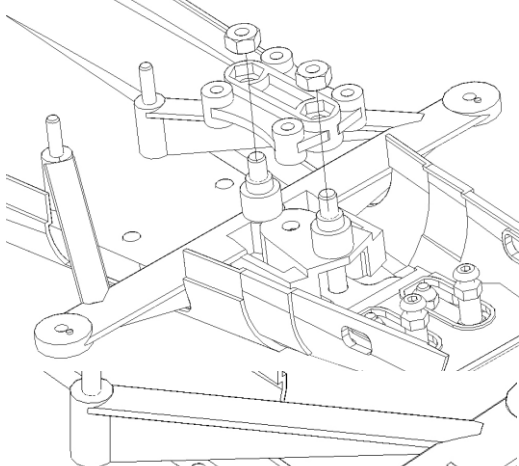
Slide the 2 x HW021 M4 x 35 and the 2 x HW024 M3 x 25 through the lower body and the chassis.



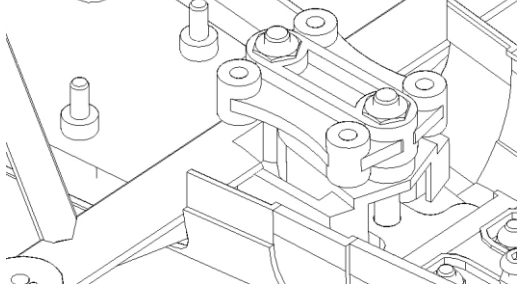
Insert the 51381 lower arms over the screws.



Slide the 51381 spacer and the central element 51831 over the HW021 screws.



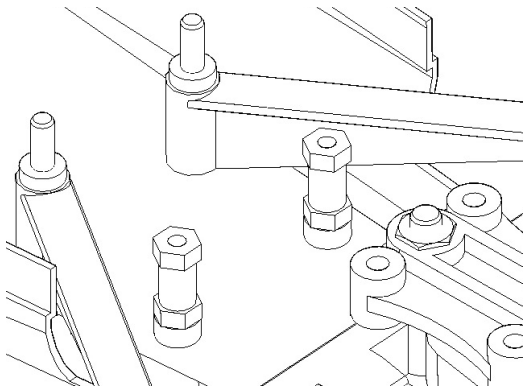
Insert the 2 x HW028 M4 nut into the hex recess and tight the M4 screws.



Slide the 2 x HW026 M3 x 12mm through the lower body and the chassis. Insert the 2 x 3mm FX0074 alu shims over the screw protruding from the chassis.

*See the lower note!!!*

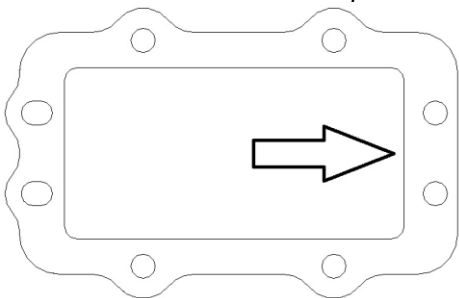
# ***FENIX Classique***



Fix 2 x FX1045 over the HW026 screws and slide 2 x FX02009 2mm alu shims over the HW024.

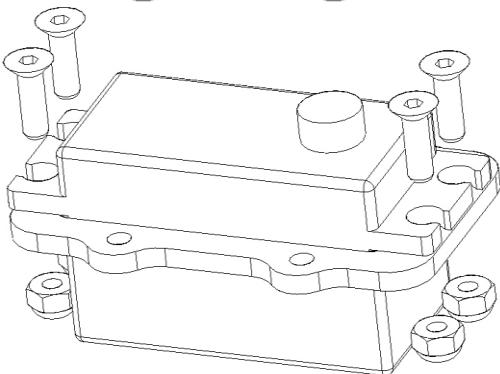
**NOTE:**

Newer kit versions are equipped with a 15mm post instead of the FX1045 12mm post. So, no FX0074 3mm shims are required!!!



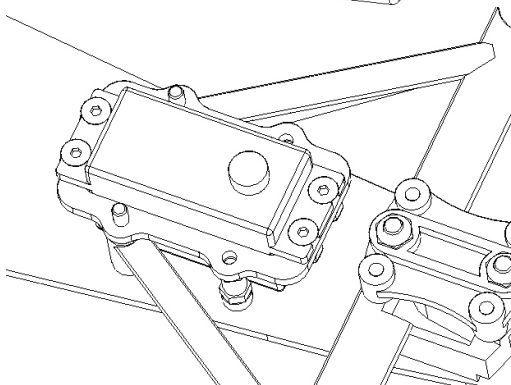
Take the HS2 servo holder.

Note: the flat area goes to the front of the model



Insert the low profile servo (not included) in the servo holder.

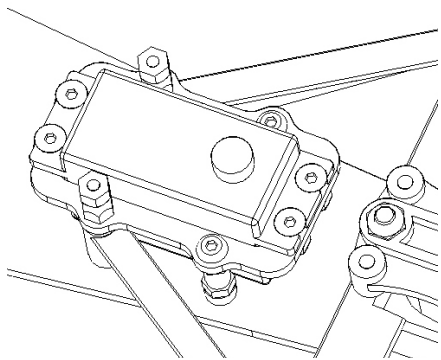
Fix it with using 4 x HW033 screws and 4 HW002 self-locking M3 nut



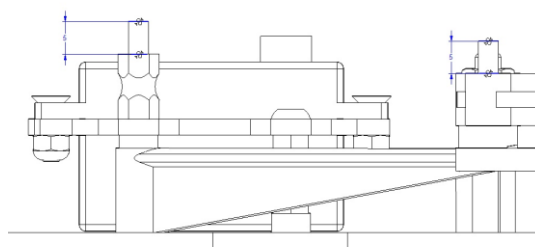
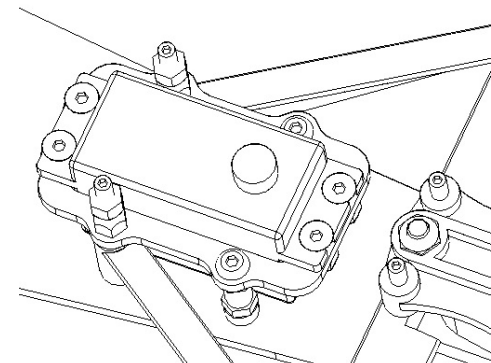
Slide the servo group over the 2 x HW024

# FENIX Classique

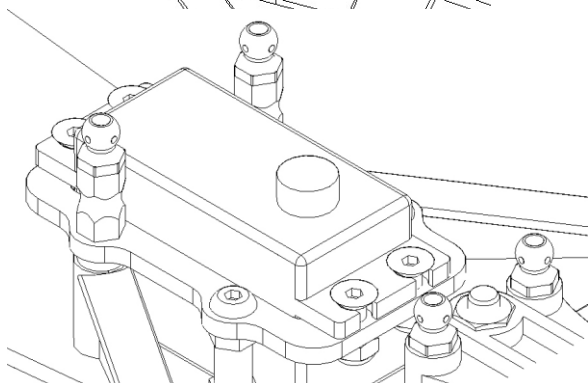
Secure the group using 2 x HW003 and 2 x FX1045 10mm alu post.



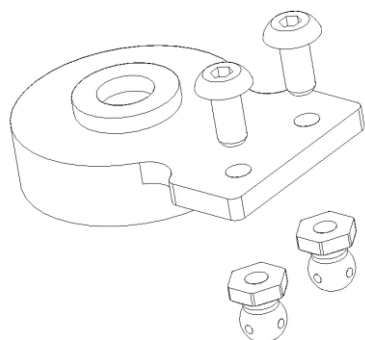
Insert 4 x HW032 M3 x 10 grub screw as shown. Leave them protrude for 5mm



Fix and tight 4 x FUFX48 over the protruding part of the HW032



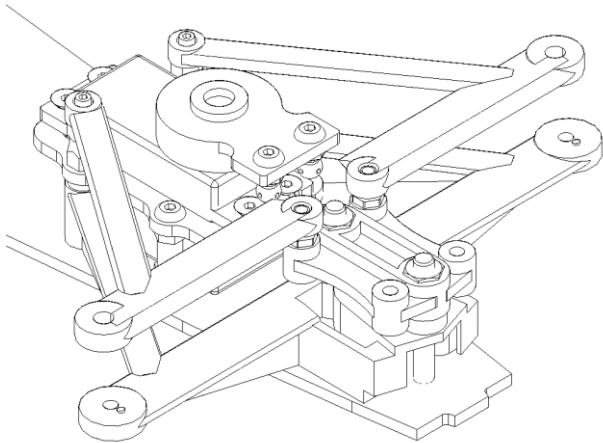
Insert 2 x HW003 into the servo saver and screw 2 x FUFX48.



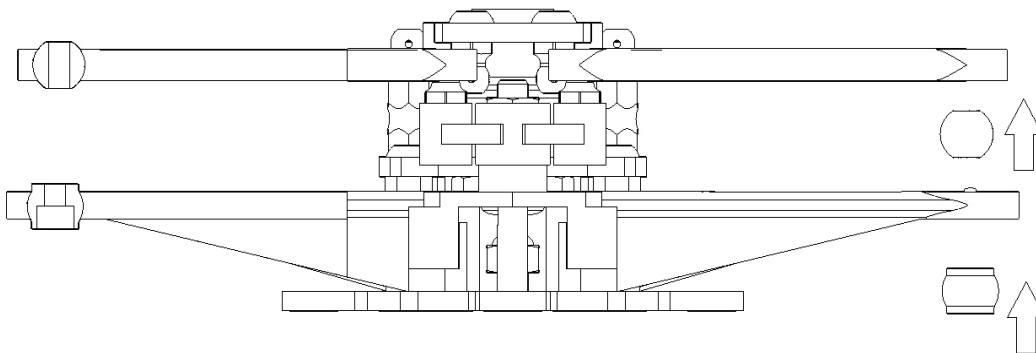
Insert the servo saver over the servo (not included) and fix it using the proper screw provided in the servo box.

# FENIX *Classique*

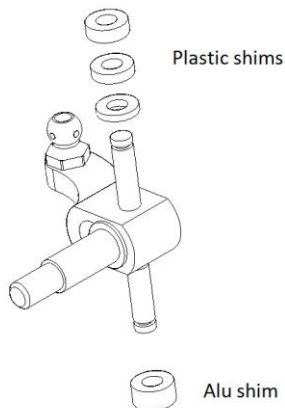
Insert the upper arms into the FUFX48—  
 Note: you might need to use some effort.



Insert, as shown, the plastic spheres in the arms.

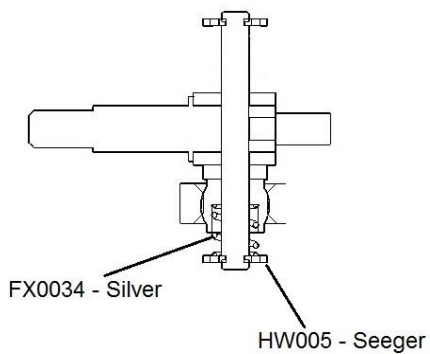


Using 1 x HW003 fix 1 FUFX48.  
 Put the plastic shims on the upper area, the alu shim in the lower portion.  
 Make 2 set mirror like.



Insert the front spring, as show.

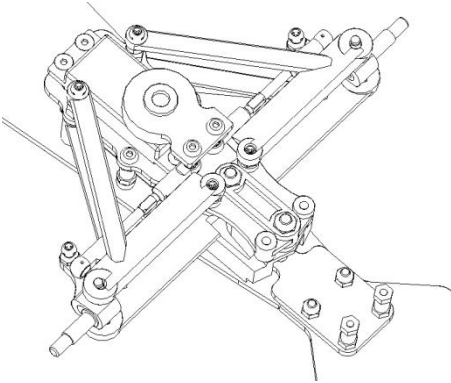
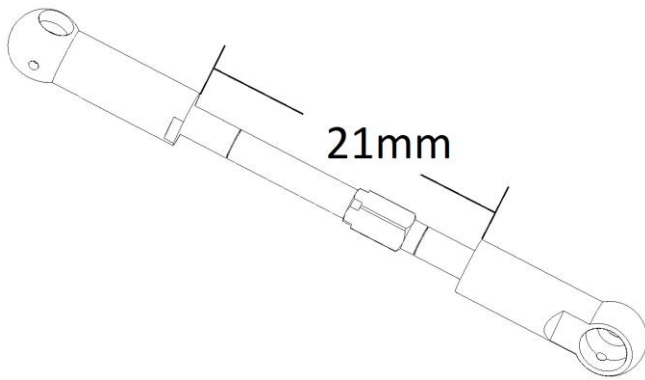
Secure the kingpin in position using the 2 x HW005 Seeger





# ***FENIX Classique***

Make 2 sets

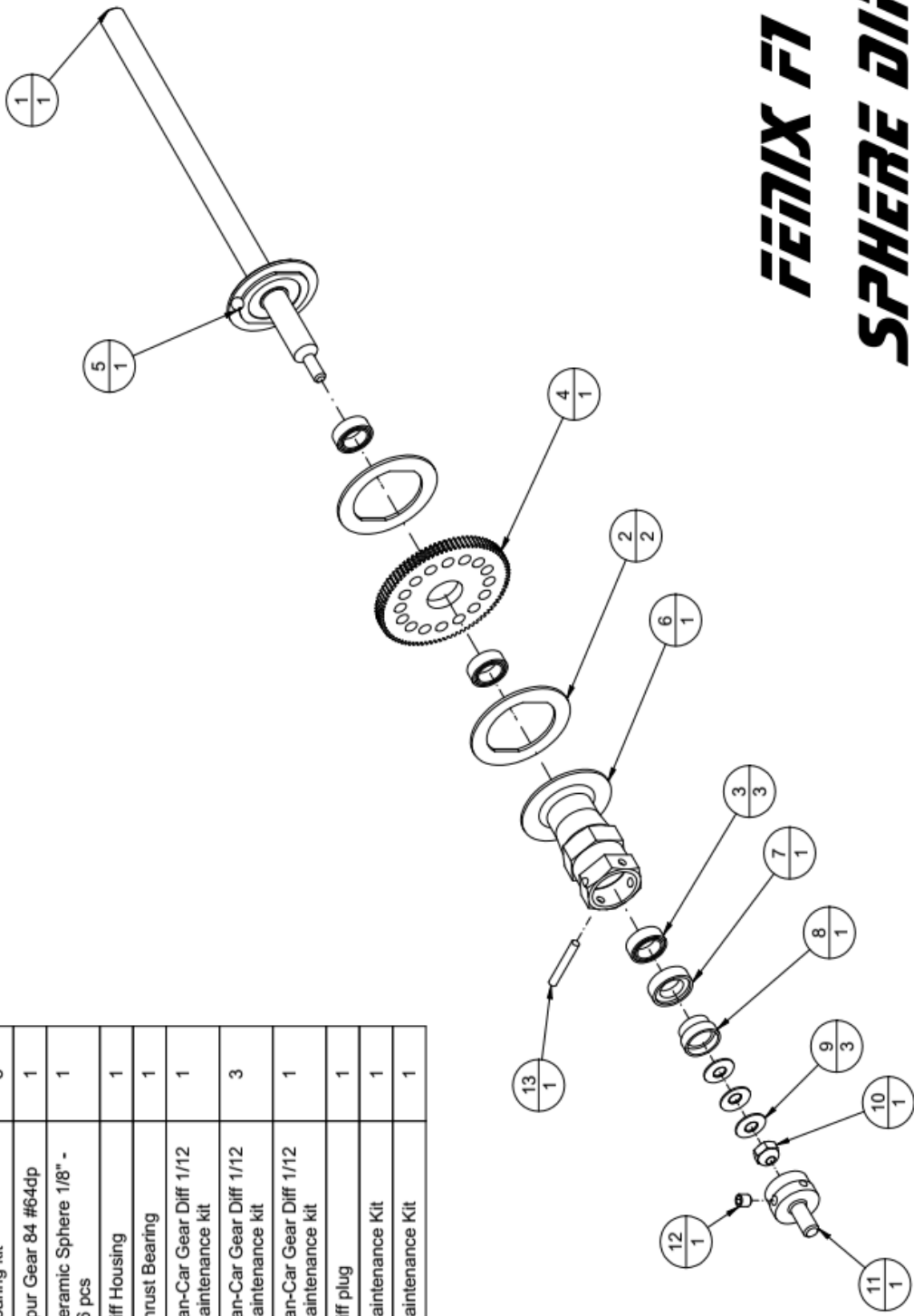


Install the assembled rods over the FUFX48. You can set the required toe after the proper radio settings.

**FENIX F1**  
**SPHERE<sup>\*</sup> DIFF**

**NOTE:**  
Please, be aware that bearings in FX0043B are rather tight in their site.  
It might take some effort to put them in and take them out.

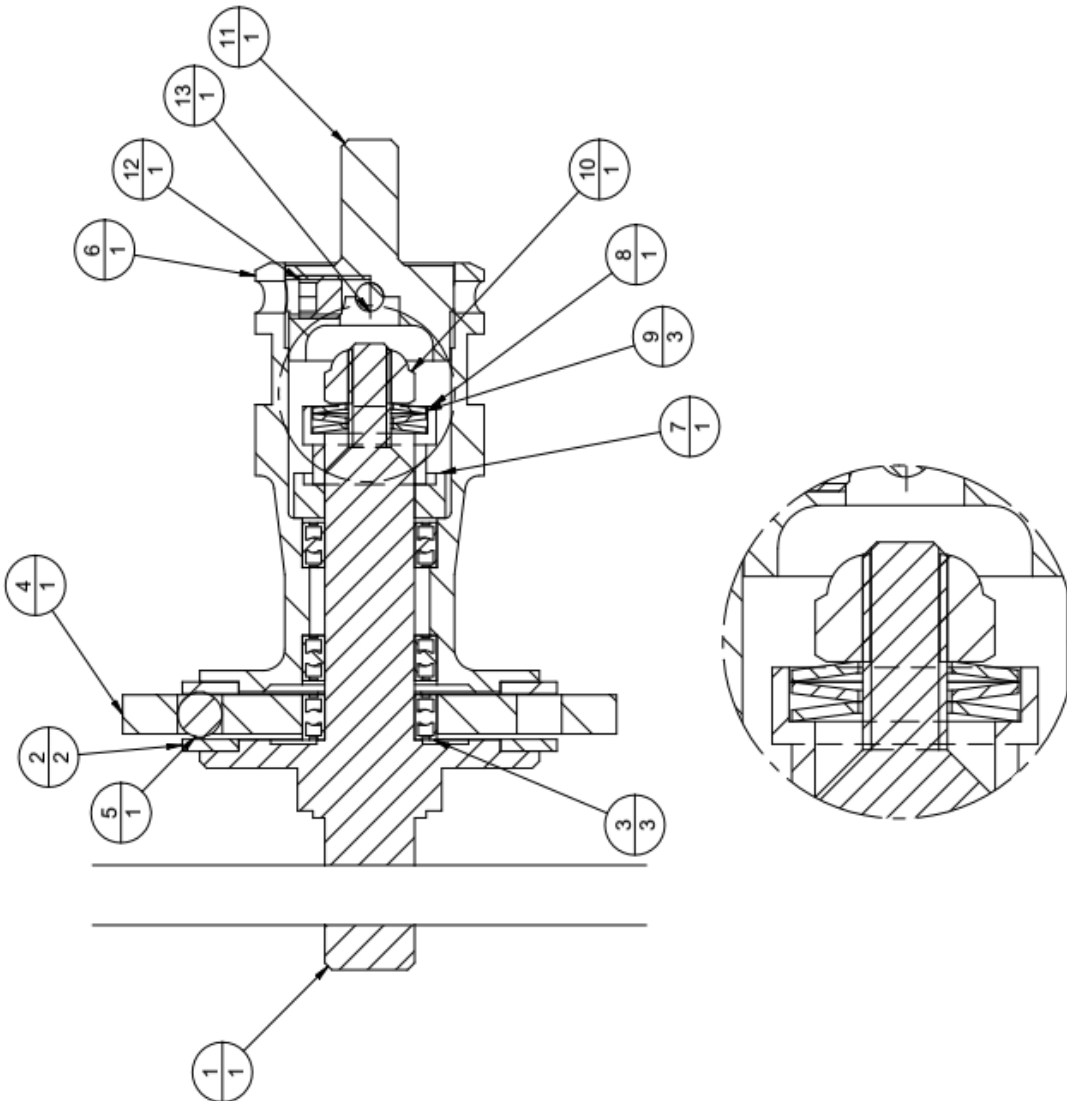
Item	CPN	Description	QTY
1	FX0043D	Titanium axle with Ring holder	1
2	F1-007S	Diff plate	2
3	DGD023	Bearing kit	3
4	FD4-84	Spur Gear 84 #64dp	1
5	FX0043C	Ceramic Sphere 1/8" - 16 pcs	1
6	FX0043B	Diff Housing	1
7	FX0043A	Thrust Bearing	1
8	DGD022-12	Pan-Car Gear Diff 1/12 maintenance kit	1
9	DGD022-12	Pan-Car Gear Diff 1/12 maintenance kit	3
10	DGD022-12	Pan-Car Gear Diff 1/12 maintenance kit	1
11	DGD013	Diff plug	1
12	DGD021	Maintenance Kit	1
13	DGD021	Maintenance Kit	1



**FENIX F1**

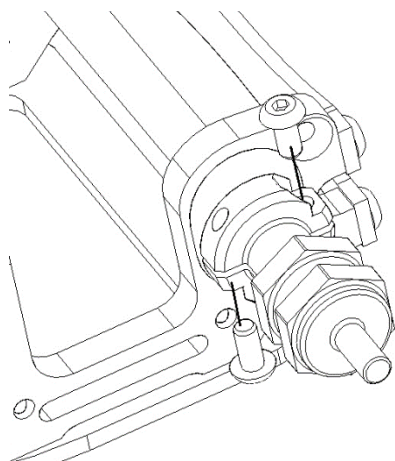
**SPHERE DIFF**

Item	CPN	Description	QTY
1	FX0043D	Titanium axle with Ring holder	1
2	F1-007S	Diff plate	2
3	DGD023	Bearing kit	3
4	FD4-84	Spur Gear 84 #64dp	1
5	FX0043C	Ceramic Sphere 1/8" - 16 pcs	1
6	FX0043B	Diff Housing	1
7	FX0043A	Thrust Bearing	1
8	DGD022-12	Pan-Car Gear Diff 1/12 maintenance kit	1
9	DGD022-12	Pan-Car Gear Diff 1/12 maintenance kit	3
10	DGD022-12	Pan-Car Gear Diff 1/12 maintenance kit	1
11	DGD013	Diff plug	1
12	DGD021	Maintenance Kit	1
13	DGD021	Maintenance Kit	1

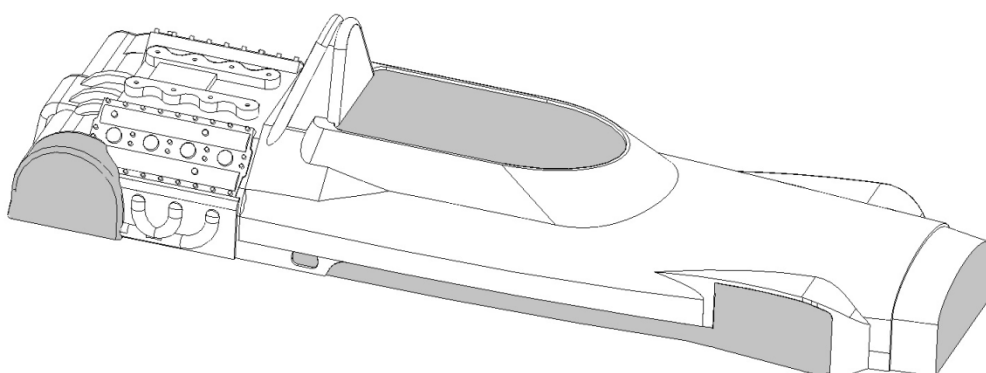


**NOTE:**  
 Please, be aware that bearings in FX0043B are rather tight in their site.  
 It might take some effort to put them in and take them out.

## **FENIX** *Classique*

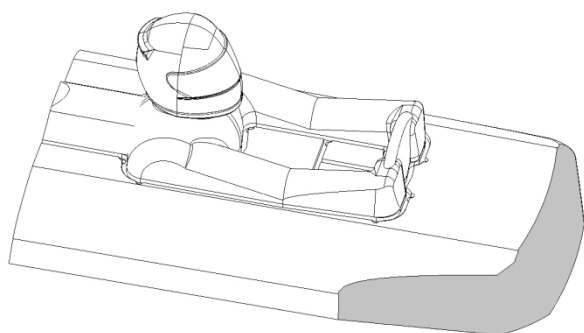


Insert the left wheel hub over the differential axle and secure it with 2 x HW003

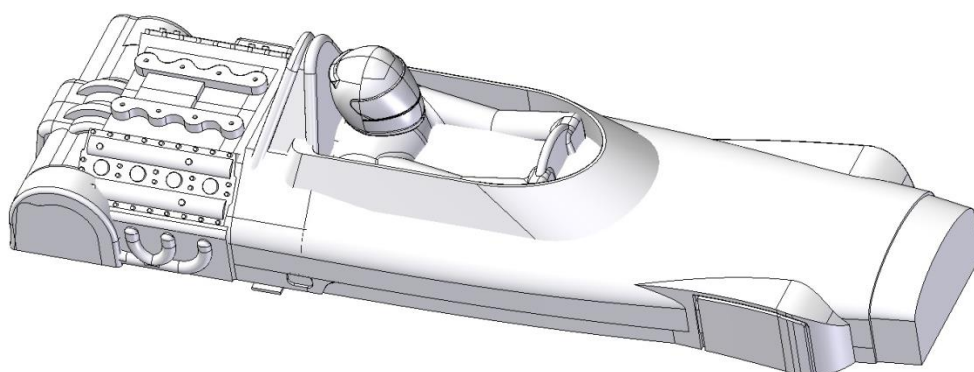


Cut the upper part of the body as shown and open the grey hole.

Take care that the grey hole will be used to fix the body to the model



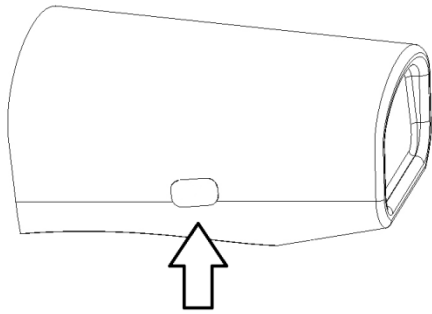
Paint and fix the driver hear to the driver body and cut the grey area.



Glue the driver body to the upper body part.

# FENIX *Classique*

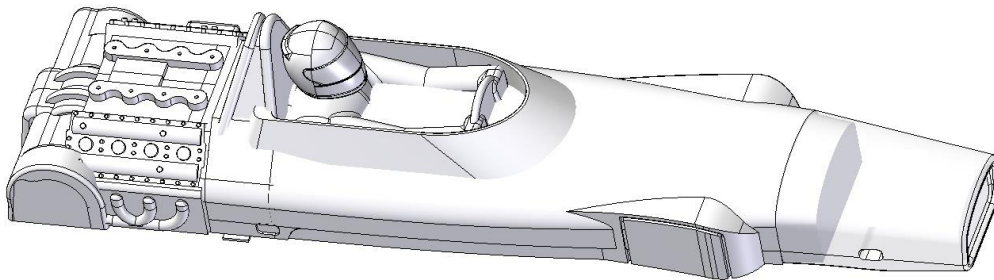
Cut the nosecone as show – **wait** before open the fixing hole.



There are 3 options for fix the body – you might want to choose the proper one.

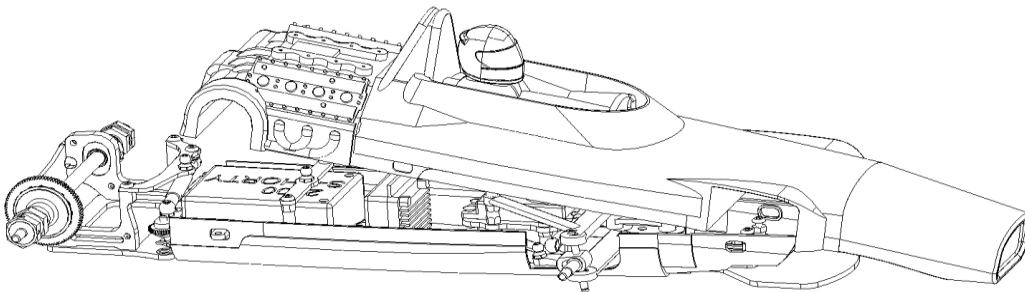
## **Fixing way 1 –**

Using some double side tape you can fix the nosecone to the upper body. Alternatively, you can fix it, always to the upper body using the provided nylon screws.

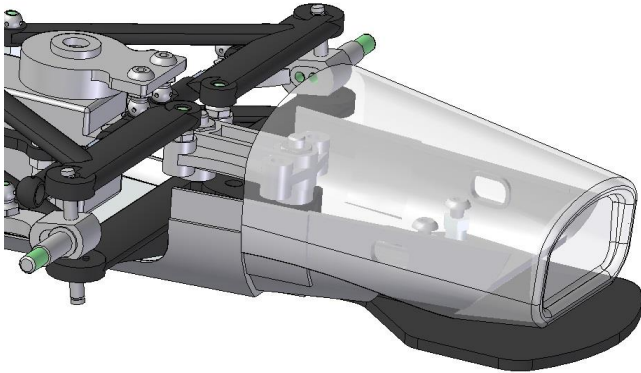


For this way, there is no need to open the fixing hole.

When using #1 Slide the nosecone over the lower and rotate it. Slide over the fixing points and secure it using 2 fixing clips



# FENIX *Classique*



## Fixing way 2 –

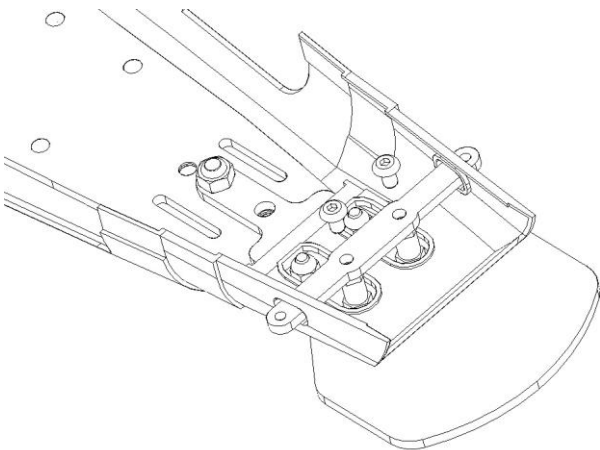
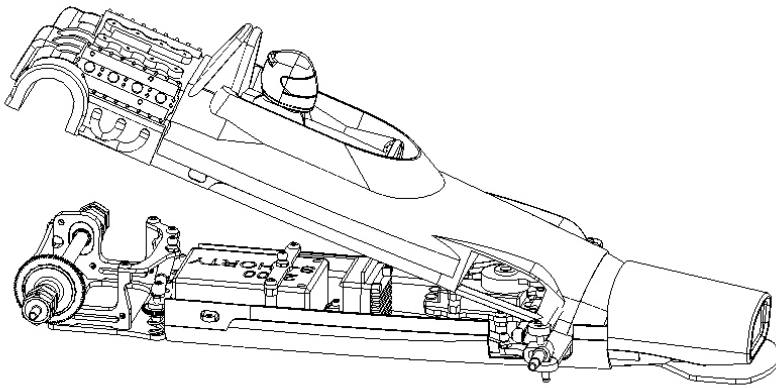
Using some double side tape you can fix the nosecone to the lower body.

Alternatively, you can fix it, always to the lower body using the provided nylon screws.

For this way, there is no need to open the fixing hole.

When using #2 insert the upper body into the nosecone and rotate it.

Slide over the fixing points and secure it using 2 fixing clips



## Fixing way 3 –

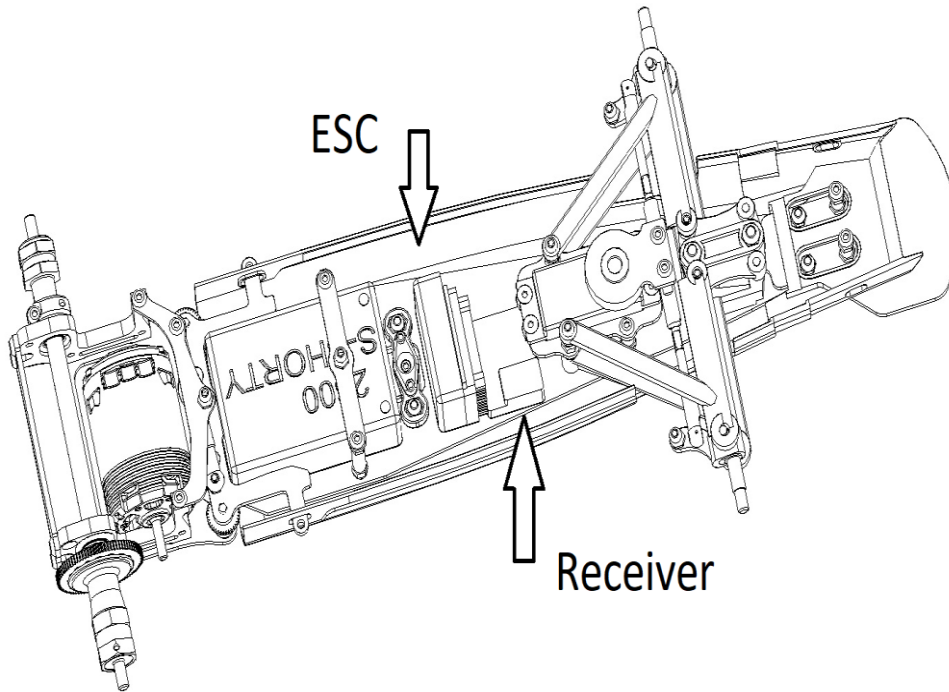
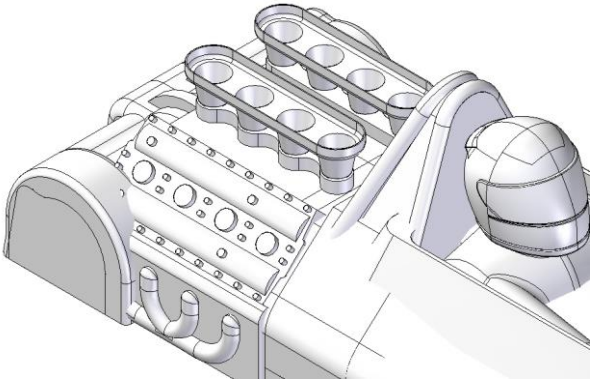
Fix the provided HS10 front body holder to the FX1045 using 2 x HW003.

This solution is more “safe” when racing.

You can now choose either fixing way as before, but the fixing holes in the nosecone need to be opened.

# FENIX *Classique*

Glue the inlet stacks to the motor



Typical electrical layout